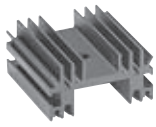
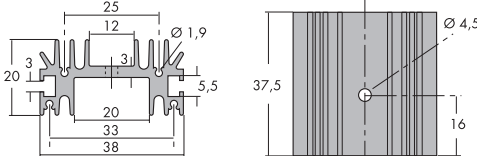



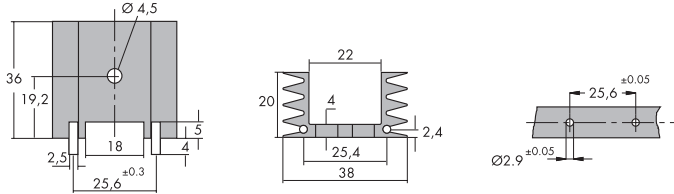


Transistor heat sinks

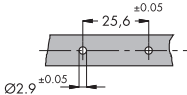
8322	Item Number	Description	Length (mm)	Rth(°C/W)	Ø Pins (mm)
	00003688	8322/37,5/ST	37,5	8	

8209	Item Number	Description	Length (mm)	Rth(°C/W)	Ø Pins (mm)
	00003660	8209/36/ST	36	9,5	
	P0003660	8209/36/ST	36	9,5	2,5


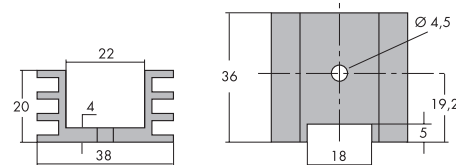



HOLES LAYOUT FOR CASING: T0220




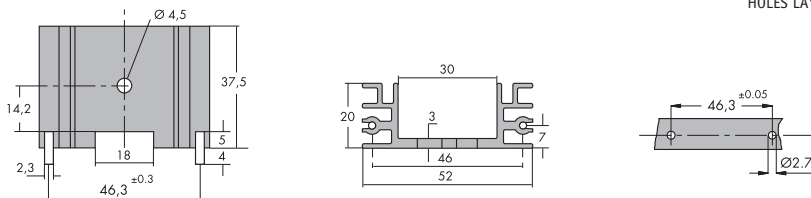
RECOMMENDED PCB HOLES LAYOUT

8002	Item Number	Description	Length (mm)	Rth(°C/W)	Ø Pins (mm)
	00003035	8002/36/ST	36	9	

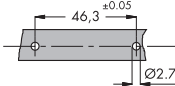



HOLES LAYOUT FOR CASING: T0220

8169	Item Number	Description	Length (mm)	Rth(°C/W)	Ø Pins (mm)
	00003540	8169/37,5/ST	37,5	8	
	P0003540	8169/37,5/ST	37,5	8	2,3

HOLES LAYOUT FOR CASING: T0220



RECOMMENDED PCB HOLES LAYOUT

Drawings scale 1:2

Dimensions are subject to extrusion tolerances EN 755 - 9 (Aluminium and aluminium alloys)